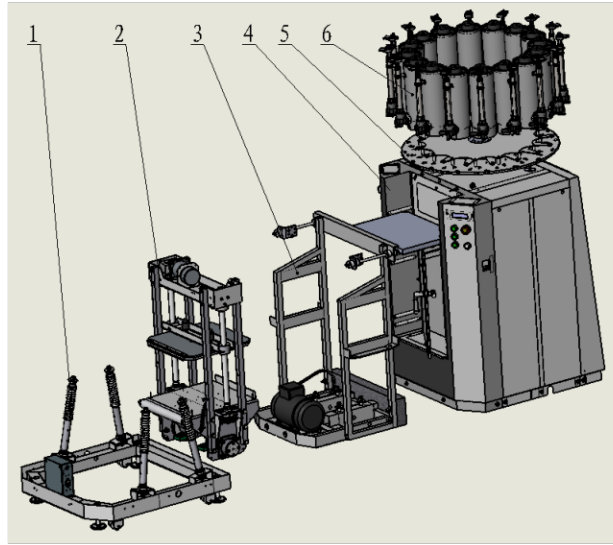


**MS3 Manual Dispenser & Automatic Shaker  
Spare Parts Catalogue**

# Contents

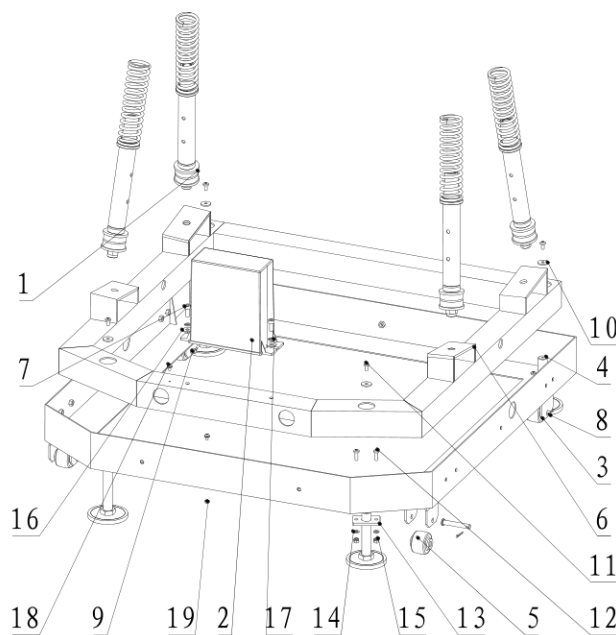
<b>1. MS3 Mixer Assembly</b> .....	<b>1</b>
<b>2. Shell Frame</b> .....	<b>1</b>
2.1.Capacity Box .....	2
2.2.Compression Spring Seat Assembly.....	3
<b>3. Medium Frame Assembly</b> .....	<b>4</b>
3.1. Link Rod Assembly.....	5
3.2. Motor Assembly.....	5
<b>4. Shell Assembly</b> .....	<b>6</b>
4.1. Upper Cover Assembly .....	7
4.2. Bearing Assembly.....	8
4.3. Stirring Motor Mounting Assembly .....	9
4.4. Front Shell Assembly .....	10
4.5. Door Assembly.....	11
4.6. Electrical Mounting Assembly.....	12
<b>5. Rotary Disk Assembly</b> .....	<b>13</b>
5.1. Rotary Disk Assembly .....	14
5.2. Upper Cover Disk Assembly .....	15
5.3. Starreticle Assembly .....	15
<b>6. Inner Frame Assembly</b> .....	<b>16</b>
6. 1. Principal Shaft Assembly .....	17
6. 2. Guide Screw Assembly .....	19
6. 3. Loading Plate Assembly .....	19
6. 4. Platen Assembly .....	20
6. 5. Counting Shaft Assembly .....	20
6. 6. Clamping Force Assembly .....	21
<b>7. M3 Canister Assembly</b> .....	<b>23</b>
7.1.M3 Manual 2 Ounce Cylinder (208) Assembly .....	24
7.2.M3 Canister Assembly .....	26

## 1. MS3 Mixer Assembly



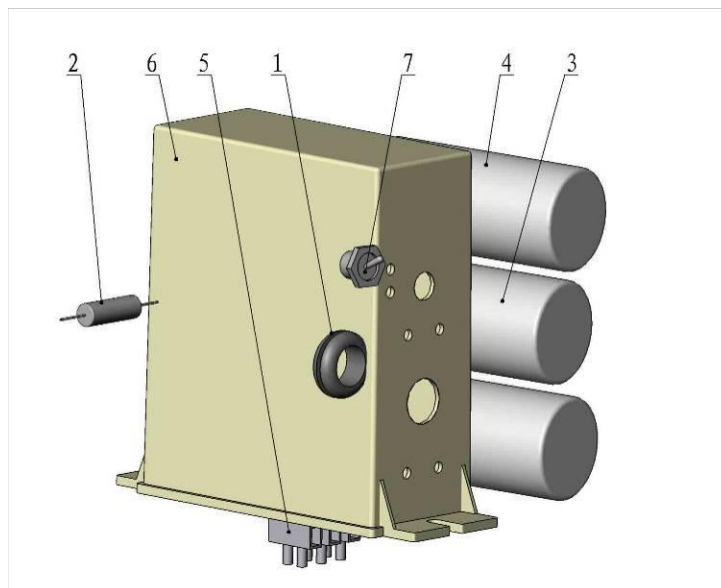
NO.	Code	Spare Parts	QTY	ERP Code	Notes
1	SHH-X.07	Shell Frame Assembly	1		
2	SHH-IV.02	Inner Frame Assembly	1		
3	SHH-X.01	Medium Frame Assembly	1		
4	SHH-X.02	Shell Assembly	1		
5	SHH-X.03	Rotary Disk Assembly	1		
6	M316.01	M3 Canister Assembly	16/14		

## 2. Shell Frame



NO.	Code	Spare Parts	QTY	ERP Code	Notes
1	SHH-IV.03.02	Compression Spring Seat Assembly	4	420130000089	
2	SHH-IV.03.04	Capacity Box Assembly	1	420130000094	
3	SHH-X.02.01-a	Integrated Bottom Frame Solder A	1	222011009000	
4	SHH-IV.03.03	Foundation Assembly	4	232013006300	
5	SHH-VI.00-08	Castor	4	232004002700	
6	SHH-IV.03.01	Bottom Frame Solder	1	222013014900	
7	GB/T70.1-2000	Inner Hexagon Bolt M6X16-A2	2	102051000029	
8	GB/T882-2000	Pin Roll 8X50	4	104030000022	
9	GB/T91-2000	Split Pin 2.5X20	4	104010000015	
10	GB/T5287-1985	XL Washer 5-Zn.D	4	108120200006	
11	GB/T818-2000	Cross Pan Head Screw M5X10-A2	4	102011000054	
12	GB/T818-2000	Cross Pan Head Screw M5X16-A2	8	102011000056	
13	SHH-IV.03-01	Rubber Baffle Plate	4	212013018500	
14	GB/T97.1-2002	Flat Washer 5-Zn.D	8	108090200022	
15	GB/T889.1-2000	Hexagon Locking Nut M5-Zn.D	8	103050000016	
16	GB/T96-2002	Big Washer 6-Zn.D	2	108020200043	
17	GB/T93-1987	Spring Washer 6-Fe.O	2	108010100044	
18	GB/T9074.4	Assembled Screw M4X8	2	102010200027	
19	GB/T6170-2000	Hexagon Nut M4-Zn.D	1	103010200023	

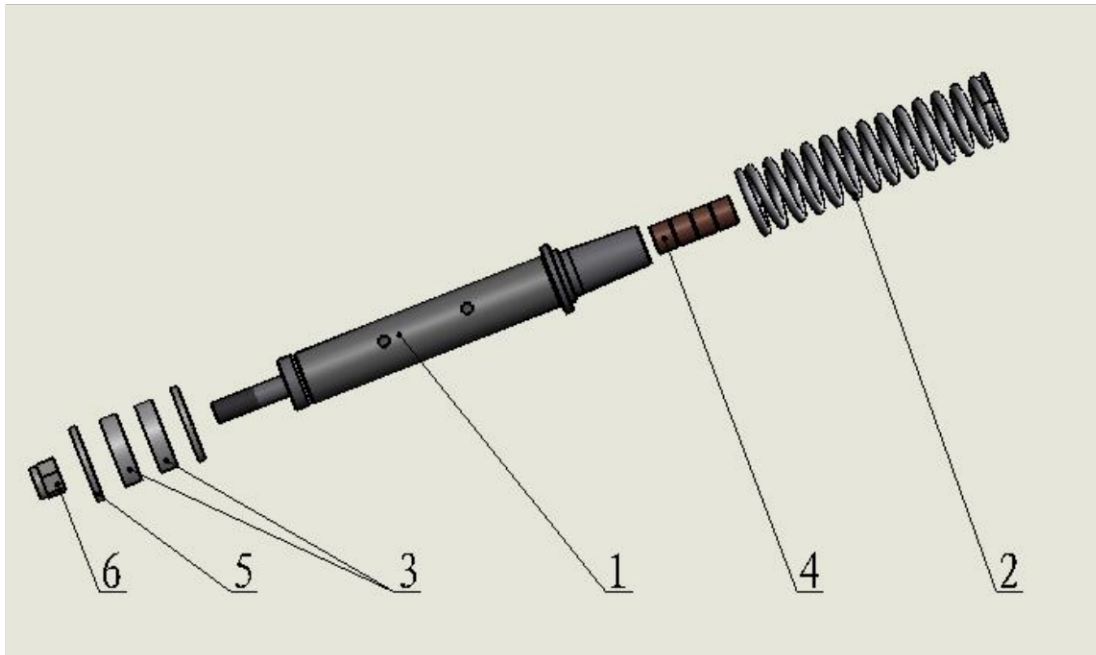
## 2.1. Capacity Box





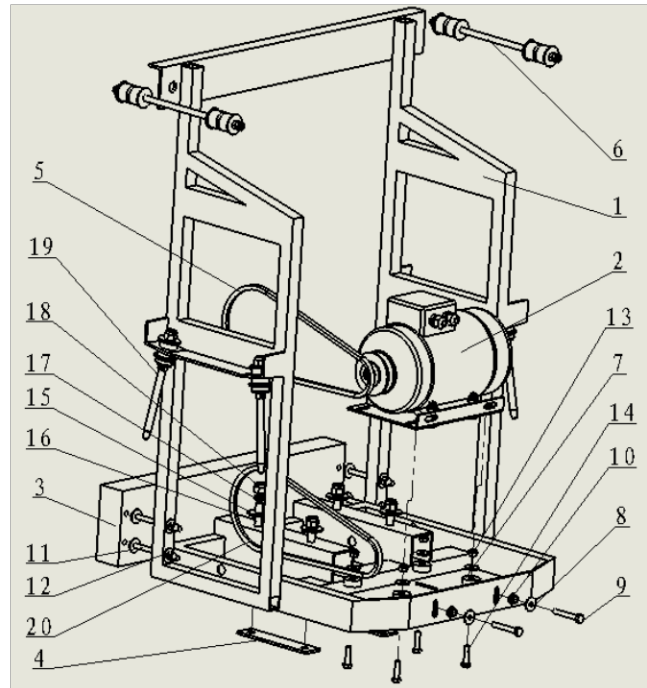
NO.	Code	Spare Parts	QTY	ERP Code	Notes
1		Coil $\phi 18 \times \phi 22$	1	300040000004	
2	SH-E-O-098	Resistance 39K $\Omega$	1	301020000001	
3	SH-E-CAP-002	Electric Capacity CBB60 (Operation 220V)	1	301010000002	Either
	SH-E-CAP-004	Electric Capacity CBB60 (Operation 110V)	1	301010000004	
4	SH-E-CAP-003	Electric Capacity CD60 (Start 220V)	2	301010000001	Either
	SH-E-CAP-001	Electric Capacity CD60 (Start 110V)	2	301010000003	
5	SH-E-T-006	Connecting Terminal	3	301170000013	
6	SHH-IV.02.02-02-a	Electric Capacity Box A	1	232013007900	
7	SH-E-SW-036	Button Switch KND102 16A 250VAC	1	301120000006	

## 2.2. Compression Spring Seat Assembly



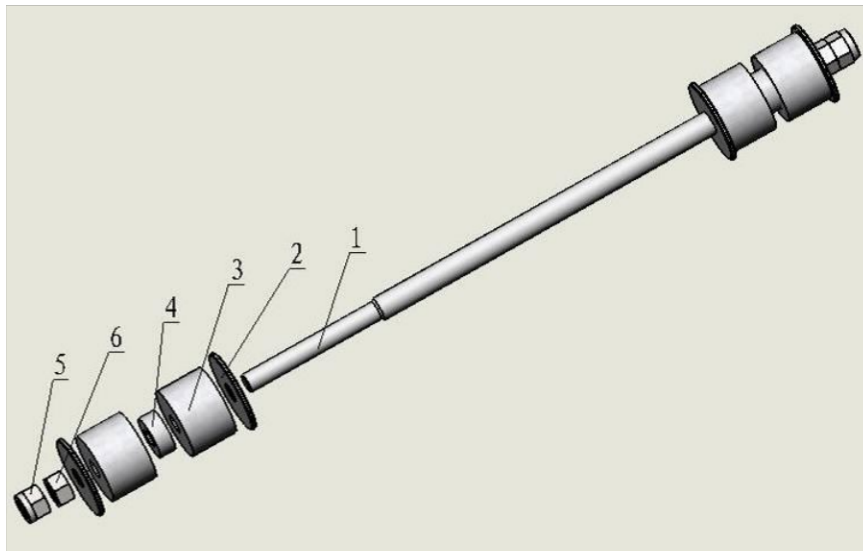
NO.	Code	Spare Parts	QTY	ERP Code	Notes
1	SHH-IV.03.02.01	Compression Spring Seat Solder	1	212013017600	
2	SHH-IV.03.02-03	Big Compression Spring	1	212013015300	
3	SHH-IV.03.02-06	Round Polyurethane Pad401210	2	232013005700	
4	TJJ-07	SH12 Without Plummer Sleeve	4	213002000200	
5	GB/T5287-1985	XL Washer 12-Zn.D	2	108120200004	
6	GB/T889.1-2000	Hexagon Locking Screw M12-Zn.D	1	103050000012	

### 3. Medium Frame Assembly



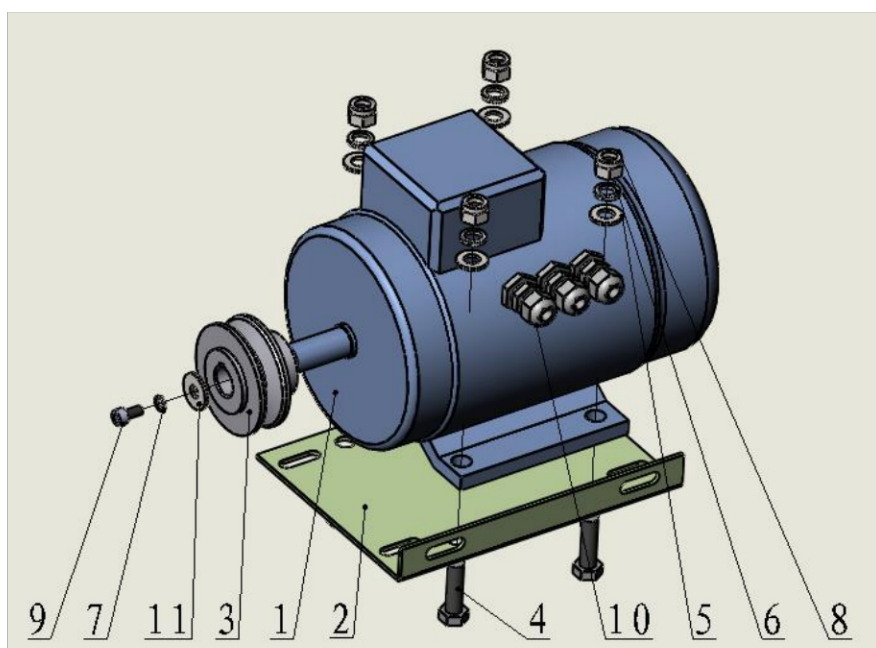
NO.	Code	Spare Parts	QTY	ERP Code	Notes
1	SHH-X.01-01A	Medium Frame Solder(XL Counter Balance)	1	222011005200	
2	SHH-X.01.01	Motor Assembly	1	420110000045	
3	SHH-IV.02-04	Counter Weight	1	212013013200	
4	SHH-IV.02-10	Bearing Seat Backing Plate	2	222013006600	
5	GB11544-89	GATES XPA800Pulley	1	152010000016	GATES
6	SHH-IV.02.03	Link Rod Assembly	2	420130000074	
7	SHH-IV.03.02-07	Round Polyurethane Pad301211	4	232013003500	
8	GB/T96-2002	Big Washer 8-Zn.D	18	108020200044	
9	GB/T5783-2000	Full Thread Hexagon Bolt M8X55-8.8	2	101030100013	
10	GB/T6177.1-2000	Hexagon Flange Nut M8-Zn.D	6	103030200005	
11	GB/T5782-2000	Hexagon Bolt M8X100-8.8	4	101010000038	
12	GB/T93-1987	Spring Washer 8-Fe.O	4	108010100045	
13	GB/T889.1-2000	Hexagon Locking Screw M8-Zn.D	8	103050000013	
14	GB/T5783-2000	Full Thread Hexagon Bolt M8X30-8.8	4	101030100010	
15	GB/T96-2002	Big Washer 12-Zn.D	8	108020200035	
16	GB/T5782-2000	Hexagon Bolt M12X50-8.8	4	101010000034	
17	GB/T93-1987	Spring Washer 12-Fe.O	4	108010100032	
18	GB/T889.1-2000	Hexagon Locking Screw M12-Zn.D	4	103050000012	
19		Guide Pin Assembly	4	420130000064	
20	XPA800	V Belt XPA800	1	152010000021	Backup

### 3.1. Link Rod Assembly



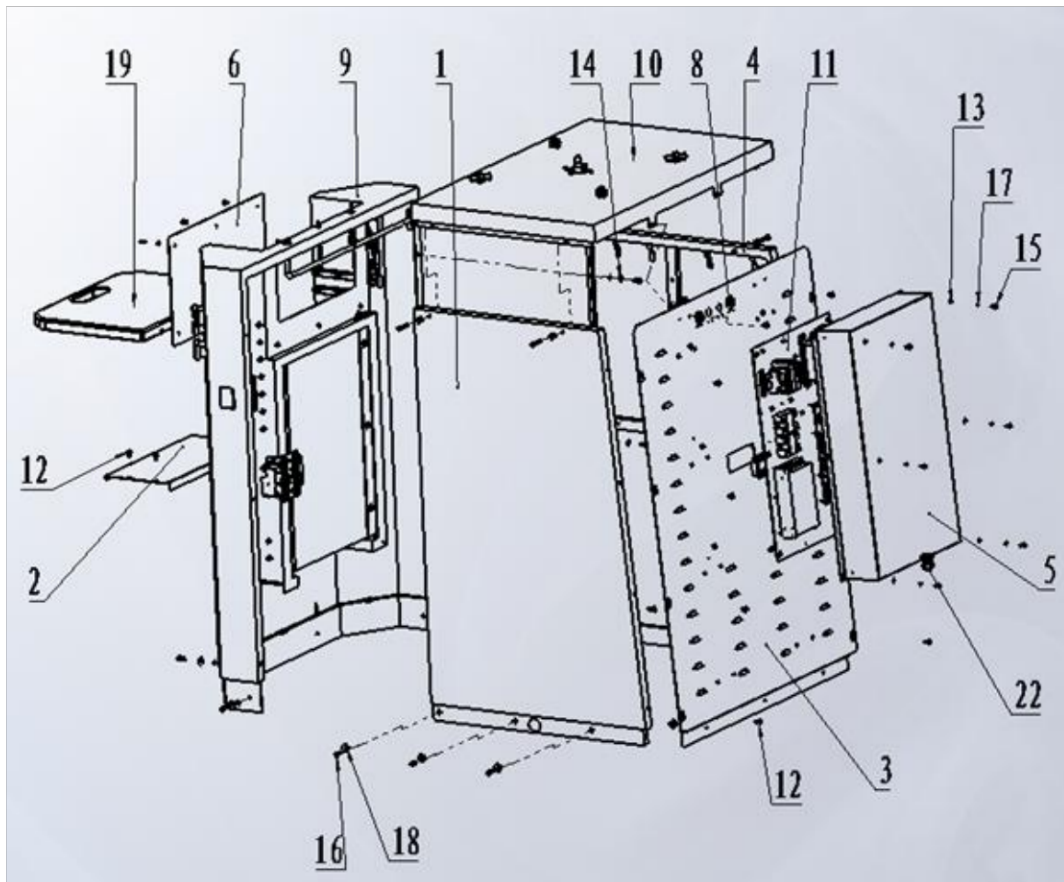
NO.	Code	Spare Parts	QTY	ERP Code	Notes
1	SHH-IV.02-07	New Link Rod	1	212013012100	
2	SHH-IV.02-08	New Link Rod Washer	4	222013014500	
3	SHH-IV.02-09	Round Polyurethane Pad300820	4	232013004000	
4	SHH-IV.02-11	Round Polyurethane Pad180807	2	232013003900	
5	GB/T 889.1-2000	Hexagon Locking Screw M8-Zn.D	2	103050000013	
6	GB/T 6170-2000	Hexagon Nut M8-Zn.D	2	103010200026	

### 3.2. Motor Assembly Assembly



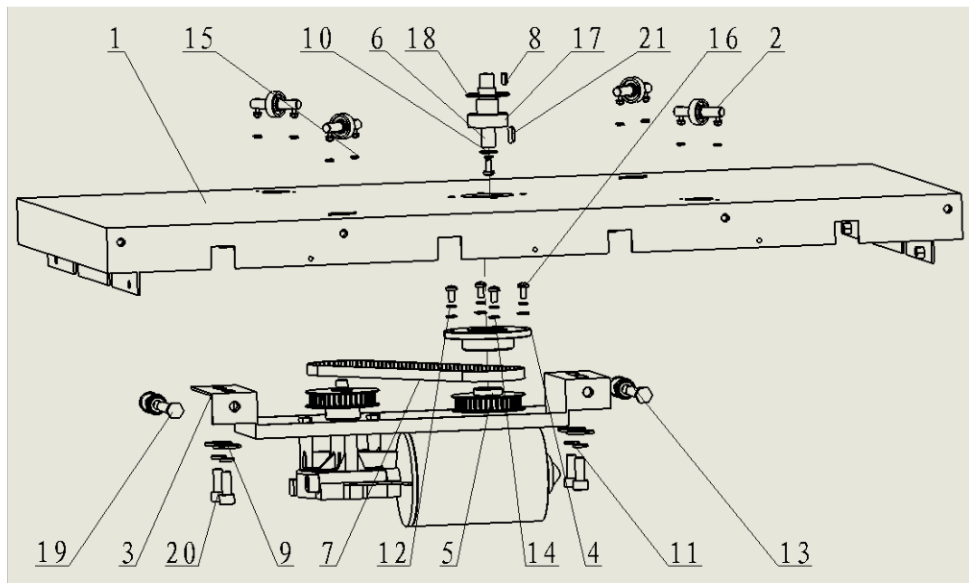
NO.	Code	Spare Parts	QTY	ERP Code	Notes	
1	SH-E-MOT-AC-054	AC Motor (220V 50Hz)	1	301030000014	Optional	
		AC Motor (220V 60Hz)	1	301030000046		
		AC Motor (110V 60Hz)	1	301030000015		
2	SHH-IV.02-03	Motor Armtie	1	222013006400		
3	SHH-IV.02-02	Drive Pulley	1	212013009900	Optional	
		SHH-IV.02-02A	60Hz680AC Drive Pulley	1		212013009600
		SHH-IV.02-02B	50Hz720AC Drive Pulley	1		212013009500
		SHH-IV.02-02C	60Hz720AC Drive Pulley	1		212013009700
		SHH-IV.02-02D	50Hz570AC Drive Pulley	1		212013009300
4	GB/T5783-2000	Full Thread Hexagon Bolt M10X35-8.8	4	101030000015		
5	GB/T97.1-2002	Flat Washer 10-Zn.D	4	108090200017		
6	GB/T93-1987	Spring Washer 10-Fe.O	4	108010100031		
7	GB/T93-1987	Spring Washer 6-Fe.O	1	108010100044		
8	GB/T889.1-2000	Hexagon Locking Screw M10-Zn.D	4	103050000011		
9	GB/T70.1-2000	Inner Hexagon Socket Cap Screw M6X12-A2	1	102051000028		
10	SH-E-O-025	PG9 Water-proof Joint (CE)	3	301200000001		
11	GB/T96-2002	Big Washer 8-Zn.D	1	108020200044		

### 4. Shell Assembly



NO.	Code	Spare Parts	QTY	ERP Code	Notes
1	SHH-X.02-01-b	Right Side Plate B	1	222011012300	
2	SHH-X.02-06	Front Shell Backing Plate	1	222011005500	
3	SHH-X.02-12	Back Shell Solder	1	222013023100	
4	SHH-X.02-08-b	Left Side Plate B	1	222011012400	
5	SHH-X.02-11-a	Electrical Box Cover A	1	222011012500	
6	SHH-X.02-12	Front Cover	1	222011005700	
8		Coil $\phi$ 18 $\times$ $\phi$ 22	2	300040000004	
9	SHH-X.02.06	Front Shell Assembly	1	420110000125	
10	SHH-X.02.07	Upper Cover Assembly	1	420110000048	
11	SHH-X.04	Electrical Mounting Assembly	1	420110000140	
12	GB/T818-2000	Cross Pan Head Screw M6X10-A2	4	102011000061	
13	GB/T97.1-2002	Flat Washer 5-Zn.D	20	108090200022	
14	GB/T97.1-2002	Flat Washer 6-Zn.D	22	108090200023	
15	GB/T818-2000	Cross Pan Head Screw M5X10-A2	20	102011000054	
16	GB/T70.1-2000	Inner Hexagon Socket Cap Screw M6X12-A2	38	102051000028	
17	GB/T93-1987	Spring Washer 5-Fe.O	6	108010100043	
18	GB/T96-2002	Big Washer 6-A2	16	108021000004	
19	SHH-X.02-03	Loadign Plate of Bucket	1	222011006600	
20	SH-E-O-024	PG11 Water-proof Joint (CE)	1	301200000034	
22	GB/T862.1-1987	External Teeth Locking Washer 6-Fe.O	15	108130100011	
22	SH-E-O-041	Plastic Locking Mounting Joint PG11	1	301200000010	

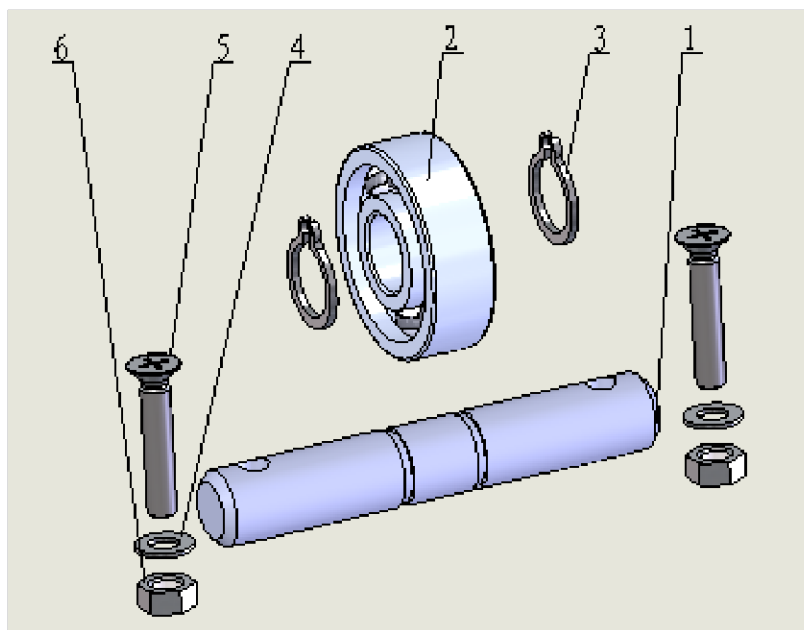
### 4.1. Upper Cover Assembly





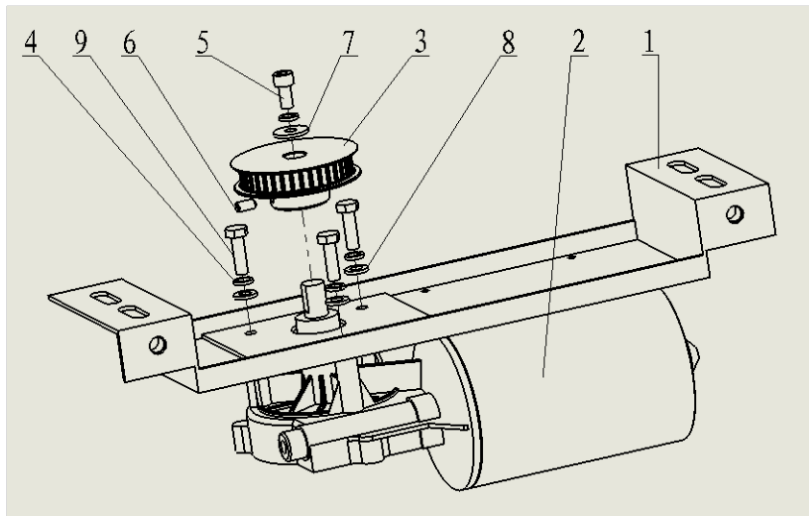
NO.	Code	Spare Parts	QTY	ERP Code	Notes
1	SHH-X.02-10-a	Upper Cover A	1	222011012200	
2	SHH-X.02.05	Bearing Assembly	4	420110000027	
3	SHH-X.02.04	Stirring Motor Mounting Assembly	1	420110000020	
4	SHH-X.03-08	Bearing Seat	1	212011002600	
5	MS3.03-09	Principal Shaft Synchro Pulley	1	212011002700	
6	SHH-X.03-05	Rotary Shaft	1	212011002800	
7	HTD550-5M-9	Synchro Pulley 550	1	152010000024	
8	GB/T1096-2003	Key C4x10	1	105030000007	
9	GB/T96-2002	Big Washer 8-Zn.D	4	108020200044	
10	GB/T96-2002	Big Washer 5-A2	1	108020200042	
11	GB/T93-1987	Spring Washer 8-Fe.O	4	108010100045	
12	GB/T93-1987	Spring Washer 5-Fe.O	5	108010100043	
13	GB/T6177.1-2000	Hexagon Flange Nut M8-Zn.D	4	103030200005	
14	GB/T97.1-2002	Flat Washer 5-Zn.D	4	108090200022	
15	GB/T97.1-2002	Flat Washer 3-Zn.D	16	108090200020	
16	GB/T818-2000	Cross Pan Head Screw M5X10-A2	5	102011000054	
17	GB/T276-1994	Bearing 6202-2Z	1	109010000051	
18	GB/T893.1-1986	Elastic Collar for Hole 35-Fe.O	1	108040100027	
19	GB/T5783-2000	Full Thread Hexagon Bolt M8X60-8.8	2	101030100011	
20	GB/T70.1-2000	Inner Hexagon Socket Cap Screw M8X20-A2	4	102051000030	
21	GB/T1096-2003	Key 4X14	1	105010000045	
22	SHH-X.02-10	Upper Cover	1	222011005400	

## 4.2. Bearing Assembly



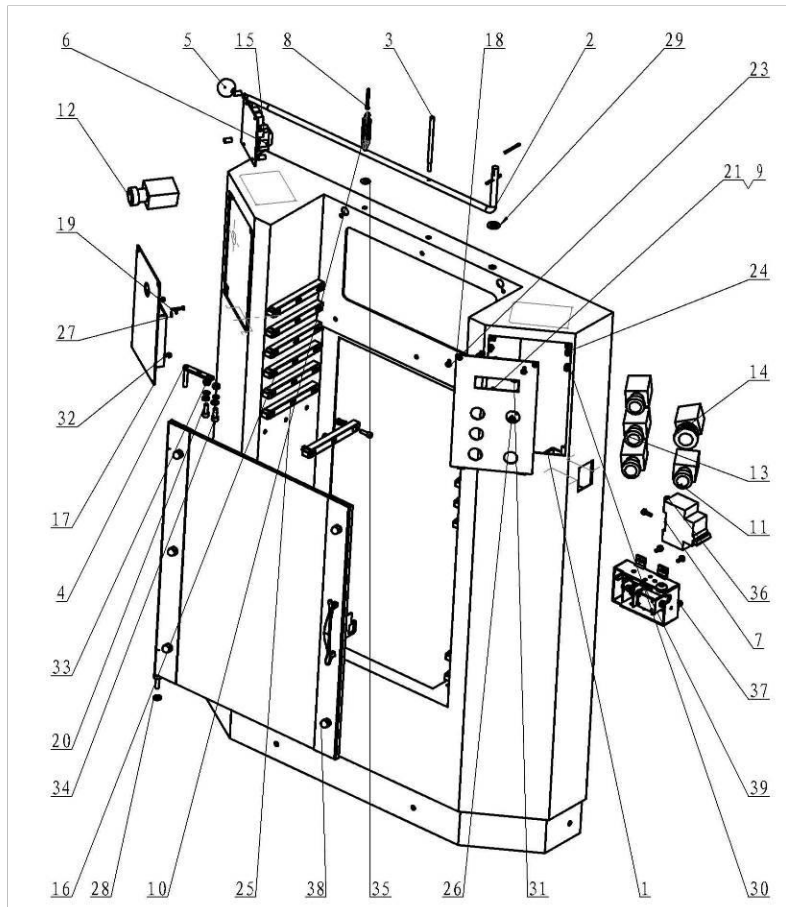
NO.	Code	Spare Parts	QTY	ERP Code	Notes
1	TSJ-Y12.1-05	TS Support Shaft	1	211001001300	
2	GB/T276-1994	Bearing 608-2Z	1	109010000042	
3	GB/T894.1-1986	Elastic Collar for Shaft 8-A2	2	108170100033	
4	GB/T97.1-2002	Flat Washer 3-Zn.D	2	108090200020	
5	GB/T819-2000	Cross Head Sunk Screw M3X16-A2	2	102021000025	
6	GB/T6170-2000	Hexagon Nut M3-Zn.D	2	103010200022	

### 4.3. Stirring Motor Mounting Assembly



NO.	Code	Spare Parts	QTY	ERP Code	Notes
1	SHH-X.02.04-01	Motor Mounting Rack	1	222011002500	
2	SH-E-MOT-DC-007	80W24V DC Turbine Decelerating Motor (Shaft Length:27)	1	301030000009	
3	MS3.02.04-02	Motor Synchro Pulley	1	212011001600	
4	GB/T93-1987	Spring Washer 6-Fe.O	4	108010100044	
5	GB/T70.1-2000	Inner Hexagon Socket Cap Screw M6X12-A2	1	102051000028	
6	GB/T73-85	Open Slot Lockign Screw M5X10-Fe.O	1	102100100007	
7	GB/T96-2002	Big Washer 6-A2	1	108021000004	
8	GB/T97.1-2002	Flat Washer 6-Zn.D	3	108090200023	
9	GB/T5783-2000	Full Thread Hexagon Bolt M6X20-8.8	3	101030000016	

**4.4. Front Shell Assembly**

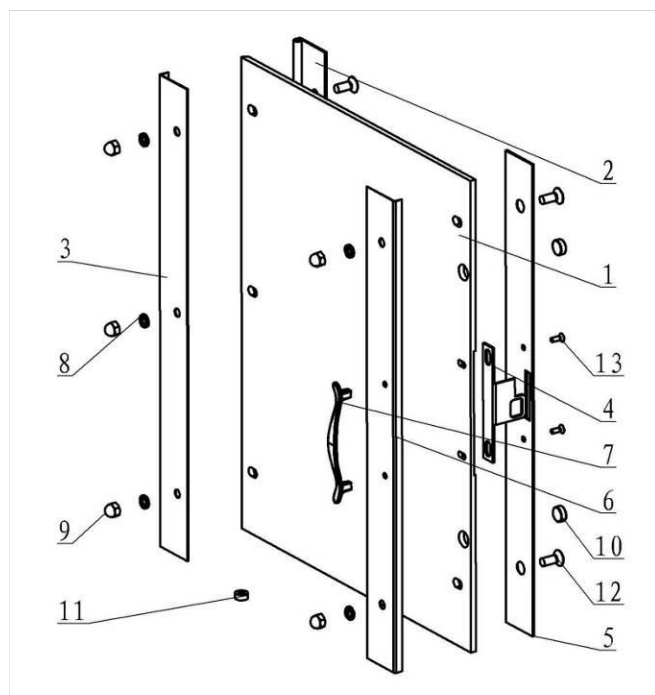


NO.	Code	Spare Parts	QTY	ERP Code	Notes
1	SHH-X.02.02-b	Integrated Front Solder Units B	1	222011010000	
2	SHH-X.02-04	Integrated Locking Rod	1	212011001900	
3	TSJ-Y12.1.1-02	TS Locking Pin	1	211001001000	
4	SHH-X.02-09	Integrated Door Hinge	1	222011008500	
5		Knob (M8)	1	111010000011	
6	SH-E-KB-005	M3Manual Dispenser Circuit Board(M3DLB.00)	1	151010000016	Either
		M3Manual Dispenser Circuit Board(110V8 Hour)	1	151010000027	
7	SH-E-SW-010	Miniature Circuit Breaker (CE) (ROHS)	1	301120000010	Either
		Miniature Circuit Breaker DZ47-60 2P D6	1	301120000042	
8	GB/T91-2000	Split Pin 3.2X30	3	104010000020	
9	SHHR-LCD.00	SHHR-LCD Circuit Board Assembly (English)	1	151010000031	
10	TSJ-Y12.1.1-03	TS Locking Rod Spring	1	211001000900	
11	SH-E-SW-012	White Button	1	301120000003	
12	SH-E-SW-039	White Button Indicator DC6V	1	301120000004	
13	SH-E-SW-008	Green Button	3	301120000014	



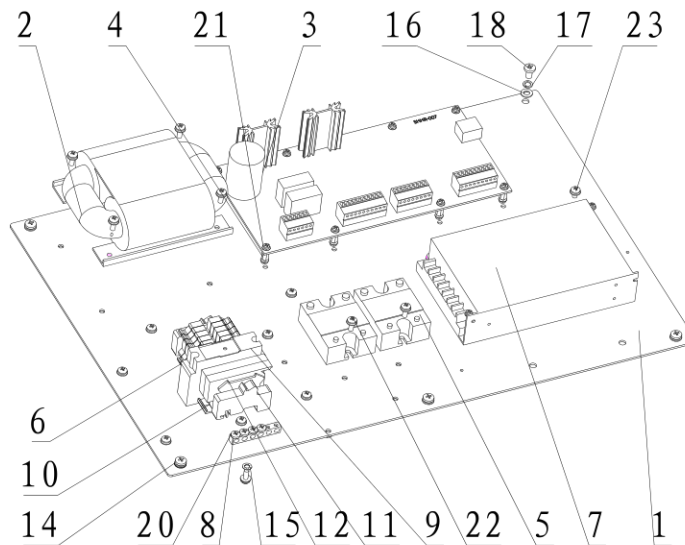
14		Emergency Stop Button	1	301120000025
14	SHH-IV.07-03	Door Circuit Board Washer	4	232013005400
15	SHH-X.02-02-a	Integrated Plastic Tray Support Trail	18	232011000400
16	SHH-X.02-26	Integrated Left Sliding Plate	1	222011004100
17	SHH-X.02-25	Integrated Right Sliding Plate	1	222011005900
18	SHHR-LCD.00	TS Locking Rod Spring	1	211001000900
19	GB/T93-1987	Spring Washer 3-Fe.O	4	108010100040
20	GB/T93-1987	Spring Washer 6-Fe.O	2	108010100044
21	GB/T93-1987	Spring Washer 5-Fe.O	36	108010100043
22		Electric Appliance Lead Rail (Blank)	1	301200000061
23	GB/T819-2000	Cross Sunk Head Screw M4X12-A2	4	102021000028
24	GB/T6170-2000	Hexagon Screw M4-Zn.D	4	103010200023
25	GB/T70.1-2008	Inner Hexagon Screw M5X16-A2	36	102051000041
26	GB/T97.1-2002	Flat Washer 5-Zn.D	36	108090200022
27	GB/T97.1-2002	Flat Washer 3-Zn.D	4	108090200020
28	GB/T97.1-2002	Flat Washer 6-Zn.D	4	108090200023
29	GB/T97.1-2002	Flat Washer 10-Zn.D	1	108090200017
30	GB/T97.1-2002	Flat Washer 4-Zn.D	4	108090200021
31	GB/T6170-2000	Hexagon Screw M5-Zn.D	36	103010200024
32	GB/T818-2000	Cross Pan Head Screw M3X20-A2	4	102011000044
33	GB/T6170-2000	Hexagon Screw M6-A2	2	103011000011
34	GB/T70.1-2000	Inner Hexagon Screw M6X16-A2	2	102051000029
35	GB/T96-2002	Big Washer 5-Zn.D	1	108020200042
36	GB/T9074.4	Assembly Screw M4X16	2	102010200029
37	GB/T9074.4	Assembly Screw M4X12	8	102010200028
38	SHH-X.02.03B	Integrated Door Units B	1	420110000335
39	SHH-IV.07	Electric Mortise Lock Assembly	1	420130000084

#### 4.5. Door Assembly



NO.	Code	Spare Parts	QTY	ERP Code	Notes
1	SHH-X.02.03-01-b	Integrated Door B	1	212011004300	
2	SHH-X.02.03-03(A)	Integrated Door Left Frame	1	222011003100	
3	SHH-X.02.03-04(A)	Integrated Door Left Deco Stripe	1	222011003200	
4	SHH-IV.04.05-11	Door Staple	1	222013010800	
5	MS3.02.03-02	Integrated Door Right Frame(Electric Lock)	1	222011008100	
6	SHH-X.02.03-05-b	Integrated Door Right Deco Strip B	1	222011009800	
7		Door Handle	1	111010000003	
8	GB/T93-1987	Spring Washer 8-A2	5	108010100015	
9	GB/T923-1988	Cap Nut M8-A2	5	103100200006	
10	SH-E-O-058	Magnet Steel $\phi$ 15X6	2	301200000027	
11	SHH-IV.04.05-09	Lower Door Hinge Washer	1	232013004900	
12	GB/T819-2000	Cross Sunk Head Screw M8X20-A2	5	102021000023	
13	GB/T819-2000	Cross Sunk Head Screw M4X12-A2	2	102021000028	

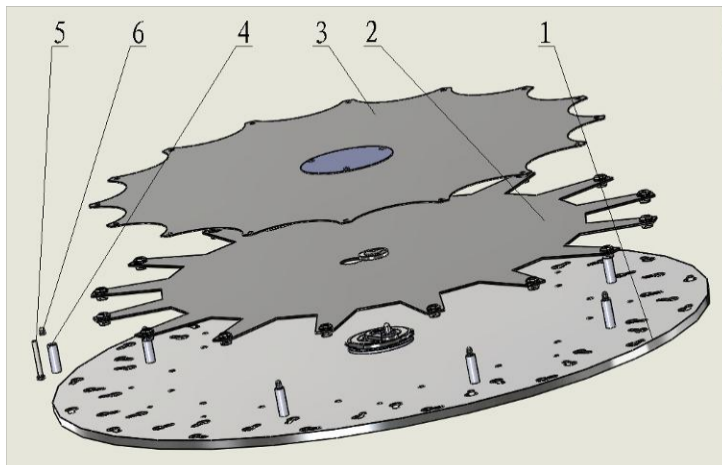
#### 4.6. Electrical Mounting Assembly



NO.	Code	Spare Parts	QTY	ERP Code	Notes
1	SHH-X.04-01	Electrical Mounting Plate	1	222011002600	
2	HXBY-195W-01	Voltage Transformer 195W	1	301060000037	
3	SH-E-MB-001	SHHR-010GP Circuit Board Assembly	1	151010000007	
4		Hexagon Brass Stud AM3X12	8	107010000014	
5	SH-E-R-007	Solid State Relay (SSR)	2	301150000003	
6	SH-E-T-007	Connection Terminal (CE)	6	301170000010	
7		Power Supply NES-100-24	1	301070000006	
8	SH-E-T-015	Connection Terminal with 6 Pins	1	301170000018	
9	SH-E-FH-006	Fuse Seat (CE)	1	301210000004	

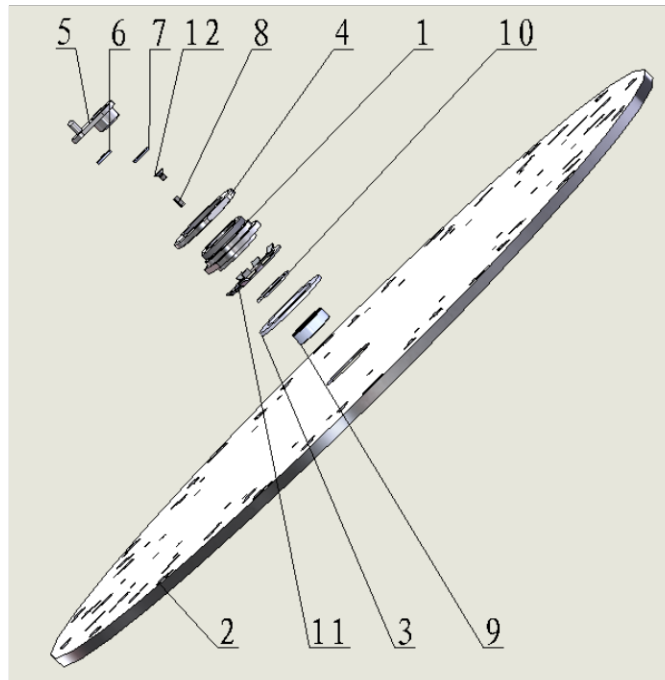
10	SH-E-FH-009	Fuse Terminal	2	30121000003	
11	SH-E-O-032	End Cap	2	30120000019	
12	SH-E-T-012	End Plate	2	30117000014	
13		Electrical Lead Rail(Blank)	1	30120000061	
14	GB/T862.1-1987	External Teeth Locking Washer 5-Fe.O	1	108130100010	
15	GB/T862.1-1987	External Teeth Locking Washer 4-Fe.O	1	108130100009	
16	GB/T97.1-2002	Flat Washer 5-Zn.D	6	108090200022	
17	GB/T93-1987	Spring Washer 5-Fe.O	6	108010100043	
18	GB/T818-2000	Cross Pan Head Screw M5X10-A2	6	102011000054	
19		Insulation Slot	3	301110000022	
20	GB/T818-2000	Cross Pan Head Screw M4X10-Cu	4	102012000006	
21	GB/T9074.4	Assembled Screw M3X8	18	102010200031	
22	GB/T9074.4	Assembled Screw M4X12	9	102010200028	
23	GB/T9074.4	Assembled M4X8	10	102010200027	
24	SH-E-MB-001	SHHR-010GP Circuit Board	1	151010000007	
25		Hexagon Brass Stud AM3X12	8	107010000014	

### 5. Rotary Disk Assembly



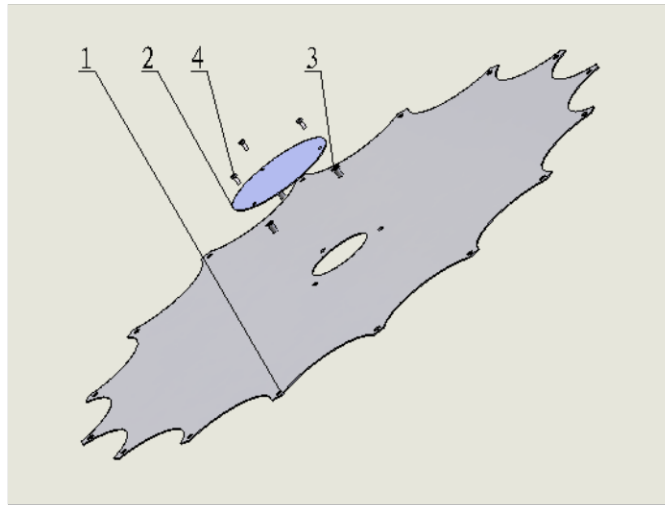
NO.	Code	Spare Parts	QTY	ERP Code	Notes
1	SHH-X.03.03	Rotary Disk Assembly	1	420110000037	Optional
	MS314.03.03	Rotary Disk Assembly (14 heads)	1	420110000036	
2	SHH-X.03.02	Starreticle Assembly	1	420110000031	Optional
	MS314.03.02	Starreticle Assembly (14 Heads)	1	420110000033	
3	SHH-X.03.01	Upper Cover Disk Assembly	1	420110000030	Optional
	MS314.03.01	Upper Cover Disk Assembly (14 Heads)	1	420110000032	
4	SHH-X.03-10	Support Pin	8	212011002500	
5	GB/T818-2000	Cross Pan Head Screw M5X40-A2	8	102011000060	
6	GB/T923-1988	Cap Nut M5-A2	8	103100200009	

### 5.1. Rotary Disk Assembly



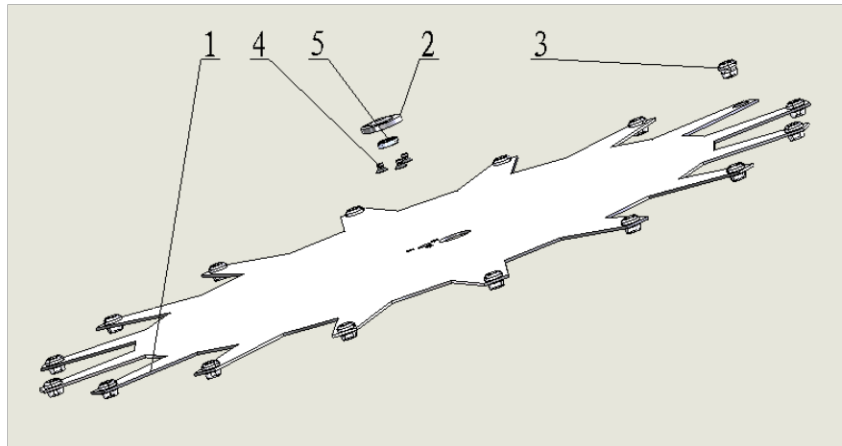
NO.	Code	Spare Parts	QTY	ERP Code	Notes
1	SHH-X.03-02	Support Ring	1	212011002400	
2	SHH-X.03-01	Rotary Disk	1	222011005000	Optional
2	MS314.03-01(A)	Lower Rotary Disk (14 Heads)	1	222011004800	
3	SHH-X.03-03	Big Plastic Pad	1	212011002200	
4	SHH-X.03-04	Big Nut	1	212011002100	
5	SHH-X.03-06	Eccentric Shaft Seat	1	212011002300	
6	TSJ-Y12.2-04	TS Little Plastic Pad	1	211001003000	
7	SHH-X.03-07	Big Washer	1	212011002000	
8	GB/T1096-2003	Key C4x10	1	105030000007	
9	GB/T276-1994	Bearing 6202-2Z	1	109010000051	
10	GB/T893.1-1986	Elastic Collar for Hole 35-Fe.O	1	108040100027	
11	GB/T858-1988	Round Nut Locking Washer 48-Fe.O	1	108160100020	
12	GB/T819-2000	Cross Head Sunk Screw M5X8-Zn.D	1	102020000007	

### 5.2. Upper Cover Disk Assembly



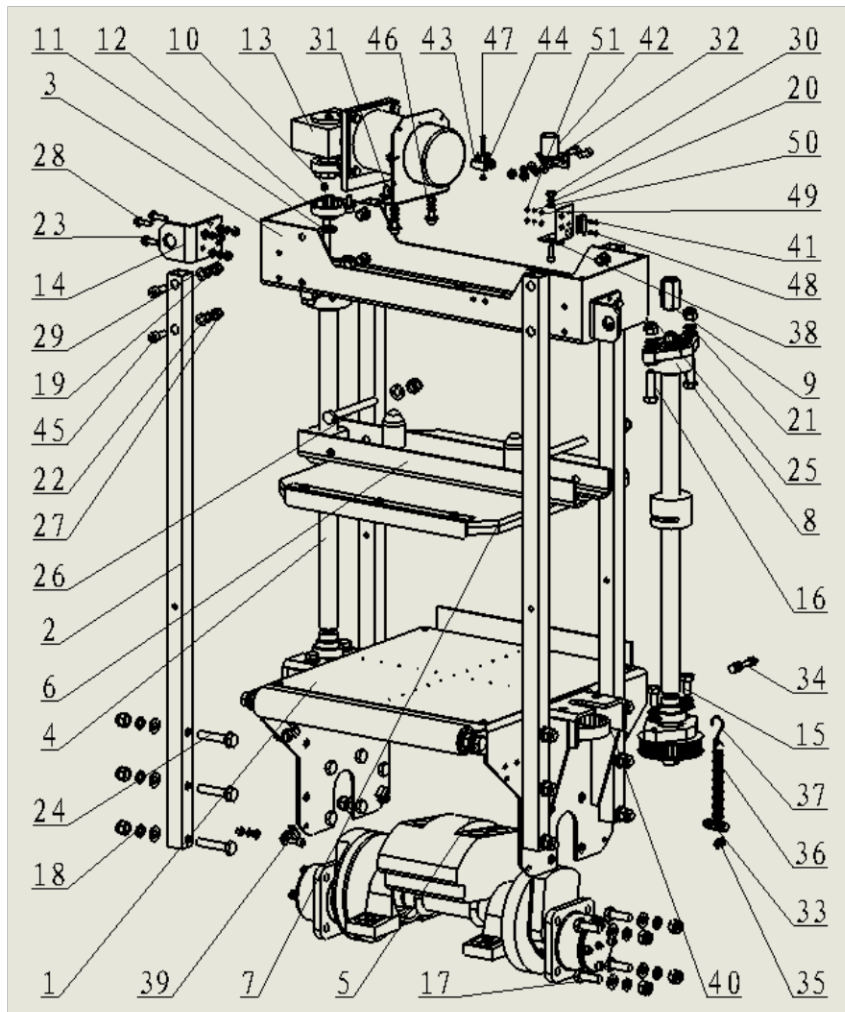
NO.	Code	Spare Parts	QTY	ERP Code	Notes
1	RJ-VI.02-03	Upper Cover Disk	1	221002000100	Optional
1	MS314.03-03(A)	Upper Cover Disk ( 14 Heads )	1	222011004700	
2	TSJ-Y12.2-20	TS Vacancy Cover	1	221001000100	
3	GB/T17880.1-1999	Flat Head Rivet M3	3	106040000006	
4	GB/T818-2000	Cross Pan Head Screw M3X8-A2	3	102011000048	

### 5.3. Starreticle Assembly



NO.	Code	Spare Parts	QTY	ERP Code	Notes
1	RJ-VI.02-02	Starreticle	1	221002000300	Optional
1	MS314.03-02(A)	Starreticle ( 14 Heads )	1	222011004900	
2	RJ-VI.02-07	Rotary Cover	1	211002001400	
3	TSJ-Y12.2-08	TS Plastic Sleeve	16	231002000100	
4	GB/T819-2000	Cross Head Sunk Screw M5X6-Zn.D	3	102020200025	
5	GB/T276-1994	Bearing 1000088	1	109010000058	

## 6. Inner Frame Assembly

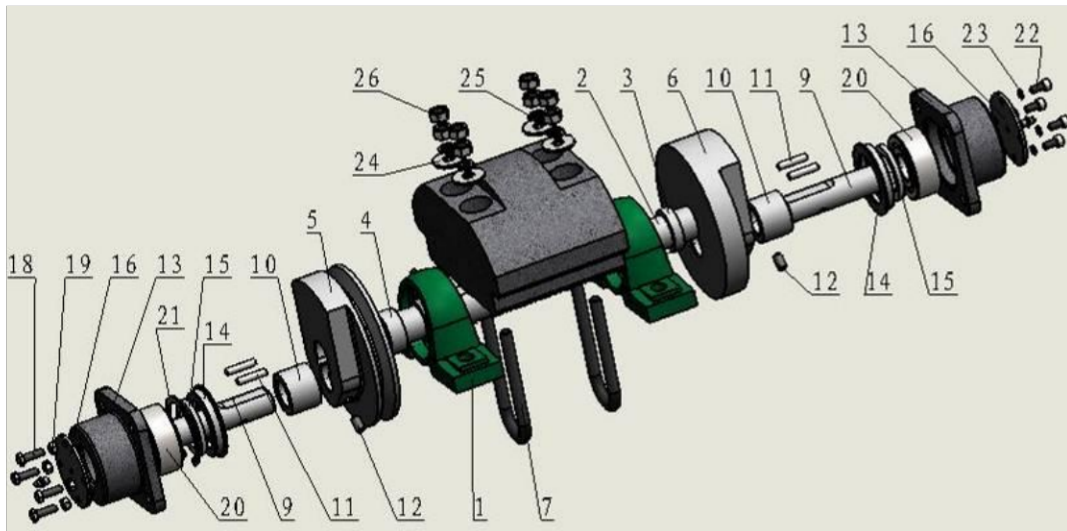


NO.	Code	Spare Parts	QTY	ERP Code	Notes
1	SHH-IV.01.02	Loading Plate Assembly	1	420130000073	
2	SHH-IV.01-09	Upright Column	4	222013014800	
3	SHH-IV.01-11	Top Beam	1	222013006800	
4	SHH-IV.01.05	Guide Screw Assembly	2	420130000066	
5	SHH-IV.01.01	Principal Shaft Assembly	1	420130000067	
6	SHH-IV.01-05	Walking Beam	1	222013007600	
7	SHH-IV.01.04	Platen Assembly	1	420130000069	
8	GB/T7810-1995	Roller Bearing UCFLU204	2	109070000004	
9		Counting Shaft Assembly	1	420130000076	
10	GB/T1096-2003	Key 5X10	1	105010000033	
11	SHH-IV.01.03-08	Coupler Damping Washer	1	232013003800	
12	SHH-IV.01-16	Guide Screw Coupler	1	212013010500	
13	SHH-IV.01.03	Clamping Force Assembly	1	420130000070	
14	SHH-IV.02-05	Link Rod Seat	2	222013008300	



15	GB/T5783-2000	Full Thread Hexagon Bolt M10X20-A2	4	101030000012	
16	GB/T5783-2000	Full Thread Hexagon Bolt M10X35-8.8	4	101030000015	
17	GB/T5783-2000	Full Thread Hexagon Bolt M10X30-8.8	8	101030000013	
18	GB/T93-1987	Spring Washer 10-Fe.O	28	108010100031	
19	GB/T93-1987	Spring Washer 8-Fe.O	8	108010100045	
20	GB/T93-1987	Spring Washer 6-Fe.O	21	108010100044	
21	GB/T97.1-2002	Flat Washer 10-Zn.D	42	108090200017	
22	GB/T97.1-2002	Flat Washer 8-Zn.D	8	108090200024	
23	GB/T97.1-2002	Flat Washer 6-Zn.D	29	108090200023	
24	GB/T5781-2000	Full Thread Hexagon Bolt M10X50	12	101020000022	
25	GB/T889.1-2000	Hexagon Locking Screw M10-Zn.D	26	103050000011	
26	GB/T5782-2000	Hexagon Bolt M10X100-A2	2	101010000031	
27	GB/T889.1-2000	Hexagon Locking Screw M8-Zn.D	8	103050000013	
28	GB/T5783-2000	Full Thread Hexagon Bolt M6X20-8.8	6	101030000016	
29	GB/T6170-2000	Hexagon Nut M6-Zn.D	18	103010200025	
30	GB/T6170-2000	Hexagon Nut M6-A2	5	103011000011	
31	GB/T96-2002	Big Washer 6-Zn.D	4	108020200043	
32	SHH-IV.01-30	Rack	1	222013007300	
33	GB/T5781-2000	Full Thread Hexagon Bolt M6X30-A2	1	101020000026	
34	GB/T5781-2000	Full Thread Hexagon Bolt M6X50-A2	1	101020000023	
35	SHH-IV.01-27	Bucket Spring Fixing Ring	1	212013012400	
36	SHH-IV.01-29	Bucket Spring	1	212013012300	
37	SHH-IV.01-25	Bucket Hook	1	212013012500	
38	SHH-IV.01-12	Photo Coupler Rack	1	222013007000	
39	SHH-IV.01-17	Pulley Fixing Clip	6	222013007700	
40	GB11616-89	Syncho Belt 1080	1	152010000022	1080-8M-16
41	SH-E-O-019	Reed Pipe 3150	1	301200000018	
NO.	Code	Spare Parts	QTY	ERP Code	Notes
42	SH-E-O-041	Plastic Fixing Mounting Joint PG11	1	301200000010	
43	SH-E-T-006	Connection Terminal	4	301170000013	
44	GB/T889.1-2000	Hexagon Locking Screw M3-Zn.D	2	103050000015	
45	GB/T70.1-2000	Inner Hexagon Socket Cap Screw M8X20-A2	8	102051000049	
46	GB/T70.1-2000	Inner Hexagon Socket Cap Screw M6X16-A2	14	102051000029	
47	GB/T818-2000	Cross Pan Head Screw M3X20-A2	2	102011000044	
48	GB/T818-2000	Cross Pan Head Screw M3X12-A2	2	102011000042	
49	GB/T97.1-2002	Flat Washer 3-Zn.D	4	108090200020	
50	GB/T93-1987	Spring Washer 3-Fe.O	2	108010100040	
51	GB/T6170-2000	Hexagon Nut M3-Zn.D	2	103010200022	

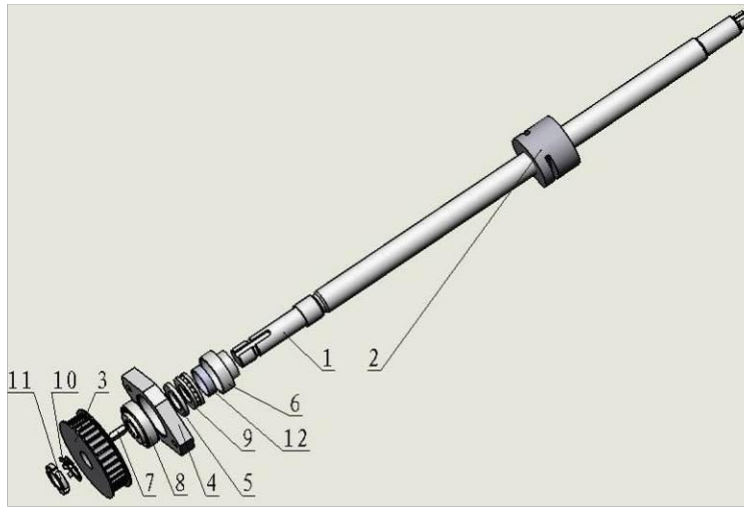
## 6.1 Principal Shaft Assembly



NO.	Code	Spare Parts	QTY	ERP Code	Notes
1	GB/T 7810-1995	Bearing UCP206	2	10907000003	
2	SHH-IV.01.01-04	Principal Shaft	1	212013010700	
3	SHH-IV.01.01-07	Principal ShaftWasher 1	1	212013010800	
4	SHH-IV.01.01-08	Principal ShaftWasher 2	1	212013010900	
5	SHH-IV.01.01-02	Eccentric Pulley	1	212013011000	
6	SHH-IV.01.01-01	Eccentric Wheel	1	212013011100	
7	SHH-IV.01.01-09	U Bolt	2	212013010200	
8	SHH-IV.01.01-03A	Counter Balance(12.5Kg)	1	212013011900	Optional
8	SHH-IV.01.01-03	Counter Balance	1	212013012000	
9	SHH-IV.01.01-05	Pin Roll	2	212013013300	
10	SHH-IV.01.01-06	Pin RollWasher	2	212013013400	
11	GB/T 117-2000	Taper Cotter 6X30	4	10405000002	
12	GB/T71-85	Open Slot Locking Screw M8X15-Fe.O	4	102090100002	
13	SHH-IV.01-18	Loading Plate Bearing Seat	2	212013013100	
14	SHH-IV.01-31	Sealing Washer	2	232013007000	
15	SHH-IV.01-32	Sealing Feltless Pad	2	232013006500	
16	SHH-IV.01-19	Loading Plate Bearing Cover	2	232013004100	
17	GB/T 1152-1989	Forced Filling Oil Cup M6	2	103010000001	
18	GB/T5783-2000	Full Thread Hexagon Bolt M6X20-8.8	4	101030000016	
19	GB/T6170-2000	Hexagon Nut M6-Zn.D	4	103010200025	
20	GB/T281-1994	Self-aligning Ball Bearing 2305	2	109020000002	
21	GB/T893.1-1986	Elastic Collar for Hole 62-Fe.O	1	108040100032	
22	GB/T70.1-2000	Inner Hexagon Socket Cap Screw M6X12-A2	4	102051000028	
23	GB/T93-1987	Spring Washer 6-Fe.O	4	108010100044	
24	GB/T96-2002	Big Washer 10-Zn.D	4	108020200034	
25	GB/T93-1987	Spring Washer 10-Fe.O	4	108010100031	
26	GB/T6171-2000	Hexagon Nut M10×1-Zn.D	8	103010200020	

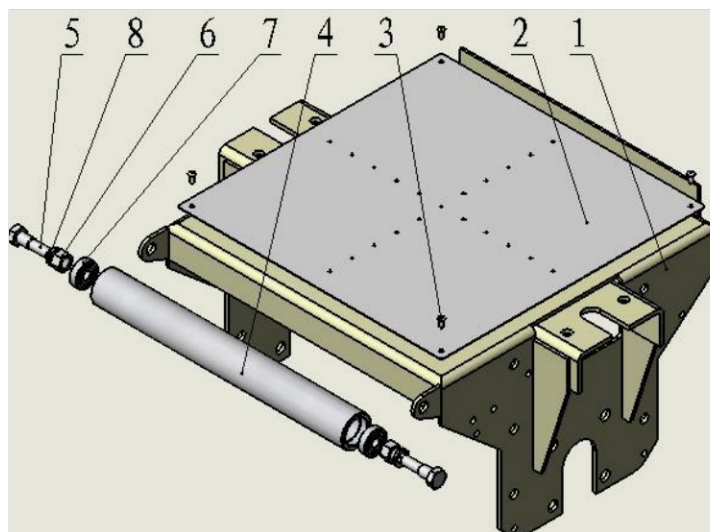


### 6.2 Guide Screw Assembly



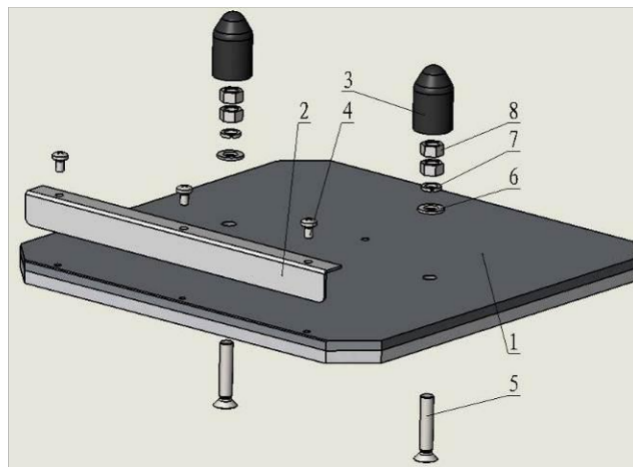
NO.	Code	Spare Parts	QTY	ERP Code	Notes
1	SHH-IV.01-01	Guide Screw	1	212013010300	
2	SHH-IV.01-02	Screw	1	212013010600	
3	SHH-IV.01-14	Synchro Belt	1	212013011400	
4	SHH-IV.01-23	Guide Screw Lower Bearing Seat	1	212013010400	
5	SHH-IV.01-26	51104 Bearing Pad	1	212013010100	
6	SHH-IV.01-24	Dust Cover	1	232013004200	
7	GB/T 1096-2003	Key 6×20	1	105010000038	
8	GB/T 297-1994	Tapered Roller Bearing 30204	1	109030000006	
9	GB/T 301-1995	Ball Thrust Bearing 51104	1	109060000003	
10	GB/T 858-1988	Round Nut Locking Washer 20-Fe.O	1	108160100017	
11	GB/T 810-1988	Little Round Nut M20X1.5-Zn.D	1	103070200007	
12	QJ 177-16A-1995	Bar Clasp 19-29	1	112010000001	

### 6.3 Loading Plate Assembly



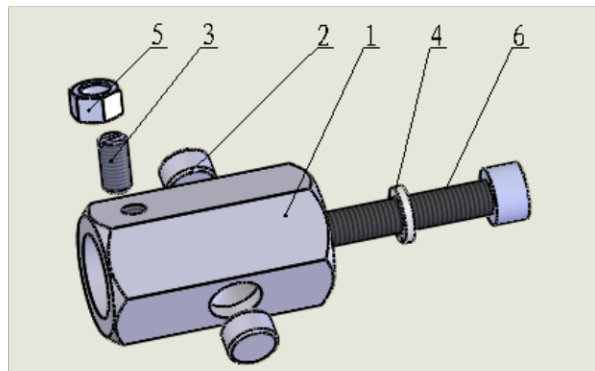
NO.	Code	Spare Parts	QTY	ERP Code	Notes
1	SHH-IV.01.02.01	Loading Plate Solder	1	222013012100	
2	SHH-IV.01.02-01	Loading Plate Backing Plate	1	222013008000	
3	GB/T12618-1990	Axis Rivet 4X10	4	106030000005	
4	SHH-IV.04.01.05	Roller	1	212013012700	
5	SHH-IV.04.01-05	Roller Screw	2	212013016000	
6	GB/T6170-2000	Hexagon Nut M12-Zn.D	2	103010200021	
7	GB/T276-1994	Bearing 6200-2Z	2	109010000050	
8	GB/T93-1987	Spring Washer 12-Fe.O	2	108010100032	

### 6.4 Platen Assembly



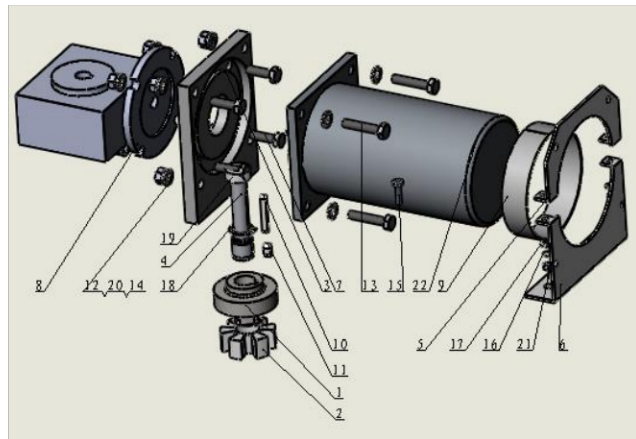
NO.	Code	Spare Parts	QTY	ERP Code	Notes
1	SHH-IV.01.04.01A	Vulcanized Platen A(ROHS)	1	232013006900	
2	SHH-IV.01-20	Platen Baffler	1	222013007100	
3	SHH-IV.01-08	Baffering Cone	2	232013006400	
4	GB/T818-2000	Cross Pan Head Screw M6X10-A2	3	102011000061	
5	GB/T819-2000	Cross Head Sunk Screw M10X50-Zn.D	2	102020200019	
6	GB/T97.1-2002	Flat Washer 10-Zn.D	2	108090200017	
7	GB/T93-1987	Spring Washer 10-Fe.O	2	108010100031	
8	GB/T6170-2000	Hexagon Nut M10-Zn.D	4	103010200019	

### 6.5 Counting Shaft Assembly



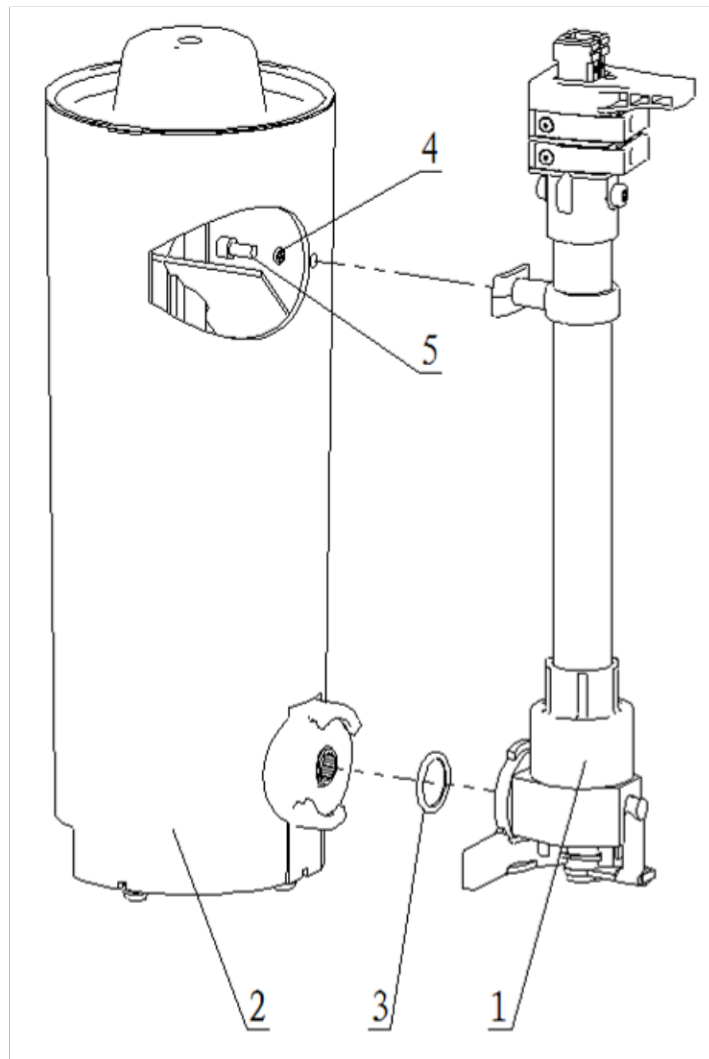
NO.	Code	Spare Parts	QTY	ERP Code	Notes
1	SHH-IV.01-13	Counting Shaft	1	212013017700	
2	SH-E-O-018	Magnet Steel $\phi$ 9X5	2	301200000025	
3	GB/T73-85	Open Slot Locking Screw M5X10-Fe.O	1	102100100007	
4	GB/T93-1987	Spring Washer 6-Fe.O	1	108010100044	
5	GB/T6170-2000	Hexagon Nut M5-Zn.D	1	103010200024	
6	GB/T70.1-2000	Inner Hexagon Socket Cap Screw M6X30-Fe.O	1	102050200032	

## 6.6. Clamping Force Assembly



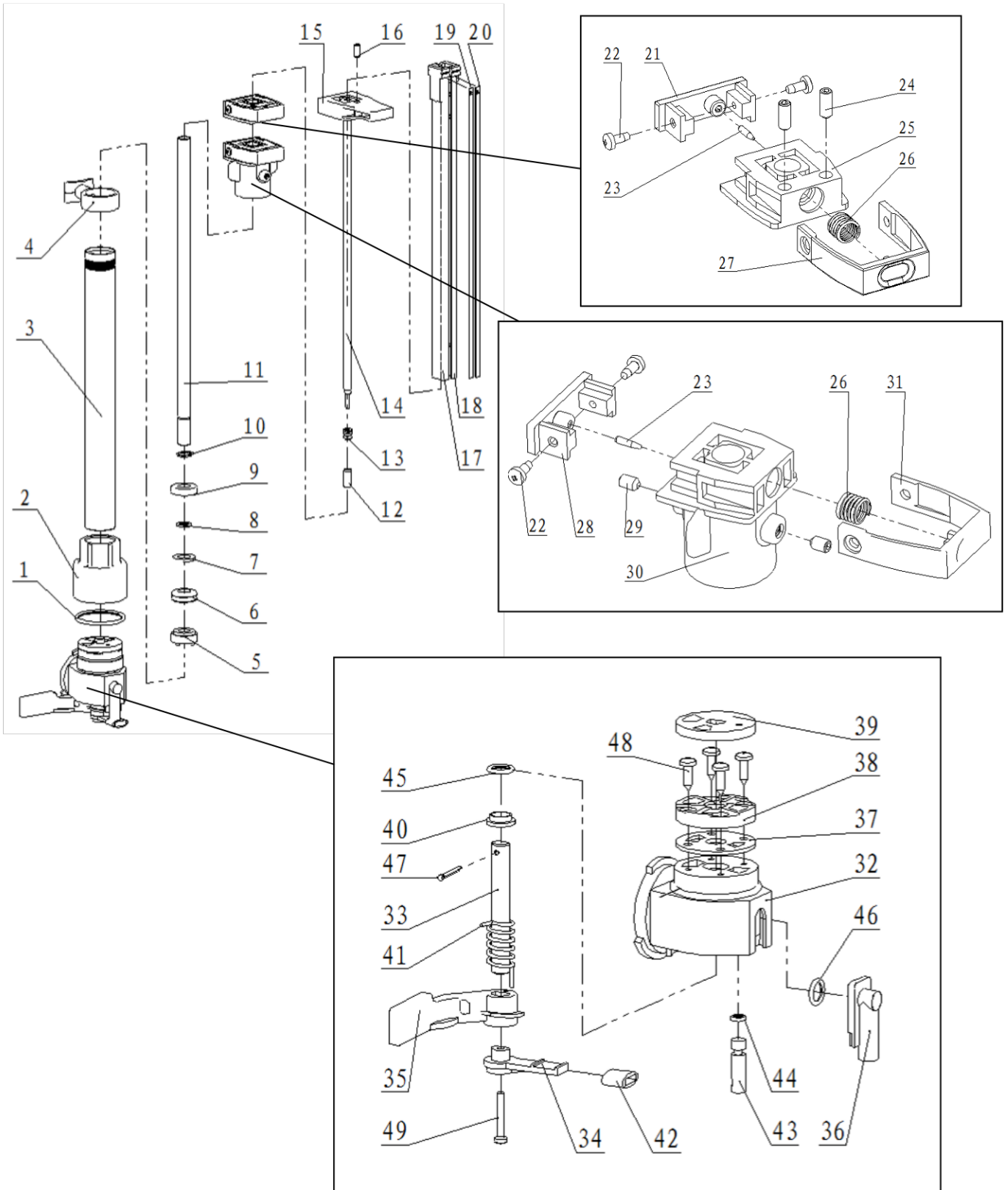
NO.	Code	Spare Parts	QTY	ERP Code	Notes
1	SHH-IV.01-16	Guide Screw Coupler	1	212013010500	
2	SHH-IV.01-28	Claw Shaped Washer	1	232013003700	
3	SHH-IV.01.03-02	Flange Plate	1	212013012600	
4	SHH-IV.01.03-05	Decelerator Output Shaft	1	212013011200	
5	SHH-IV.01.03-06K	Korcia Motor Plate 1	1	222013007400	
6	SHH-IV.01.03-07K	Korcia Motor Plate 2	1	222013007500	
7	GB/T5783-2000	Full Thread Hexagon Bolt M6X20-8.8	4	101030000016	
8		Turbine Decelerator	1	301030000054	
9		Rubber Plate	1	232013004300	20x360x1
10	GB/T1096-2003	Key 4X30	1	105010000032	
11	GB/T1096-2003	Key 5X10	1	105010000033	
12	GB/T97.1-2002	Flat Washer 6-Zn.D	12	108090200023	
13	GB/T5781-2000	Full Thread Hexagon Bolt M6X30-A2	4	101020000026	
14	GB/T6170-2000	Hexagon Nut M6-Zn.D	8	103010200025	
15	GB/T818-2000	Cross Pan Head Screw M4X16-A2	2	102011000051	
16	GB/T93-1987	Spring Washer 4-Fe.O	2	108010100042	
17	GB/T97.1-2002	Flat Washer 4-Zn.D	2	108090200021	
18	GB/T894.1-1986	Elastic Collar for Shaft 15-Fe.O	2	108170100024	
19	SHH-IV.02-11	Round Polyurethane Pad180807	1	232013003900	
20	GB/T93-1987	Spring Washer 6-Fe.O	8	108010100044	
21	GB/T6170-2000	Hexagon Nut M4-Zn.D	2	103010200023	
22	SH-E-MOT-DC-003	120W110VDC Motor(Permanent Magnetism)	1	301030000001	

## 7. M3 Canister Assembly



NO.	Code	Spare Parts	QTY	ERP Code	Notes
1	M316.01.01	M3 Manual 2 Ounce Cylinder (208) Assembly	1	410020000058	
2	M316.01.02	M323 Bucket Assembly	1	410020000005	
3	GB3452.1-92	O Ring 19X2.65	1	110010000029	
4	GB3452.1-92	O Ring 3.15X1.8	1	110010000032	
5	GB/T 70.1-2000	Inner Hexagon Socket Cap Screw M5X12-A2	1	102051000040	

**7.1. M3 Manual 2 Ounce Cylinder (208) Assembly**

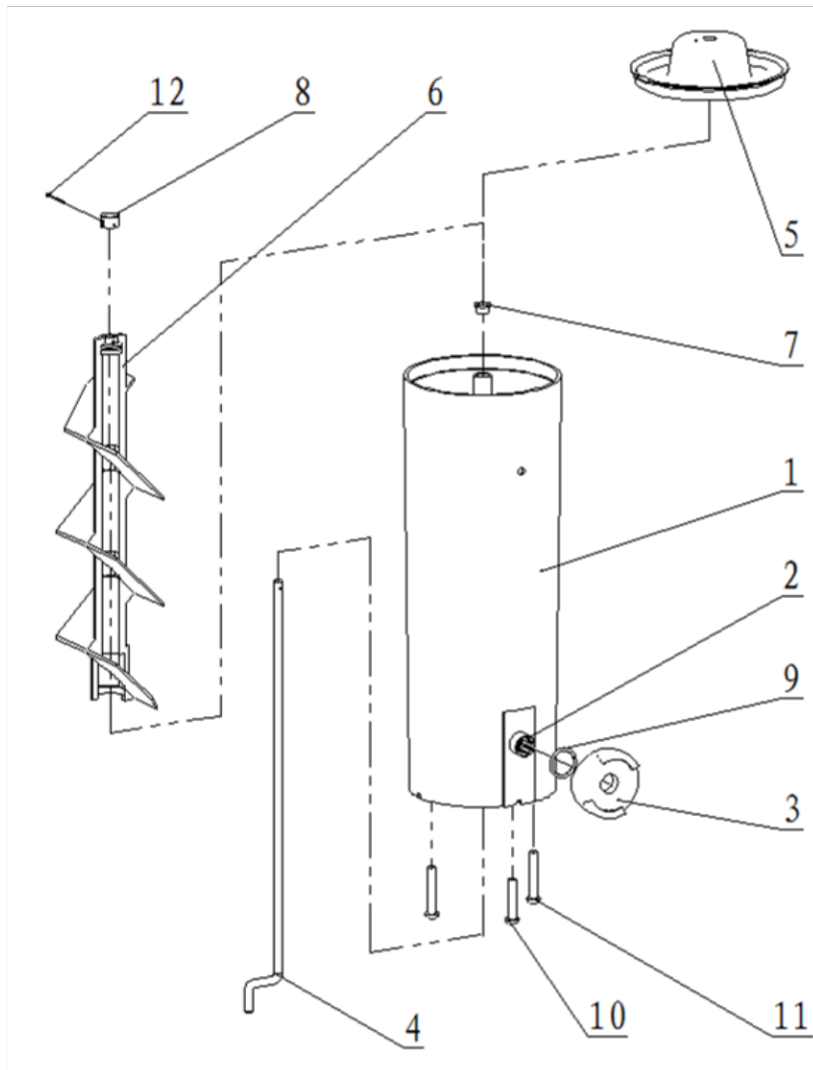


NO.	Code	Spare Parts	QTY	ERP Code	Notes
1	GB3452.1-92	O Ring 29X2.5	1	110010000031	
2	M3.01.02-01A	M3 Plastic Cylinder Joint A	1	231002000300	
3	RJ-VI.01-11B	Cylinder B	1	211002000400	
4	RJ-VI.01-17A	Fixed Collar A	1	231002000600	
5	RJ-III.01-52A	SLBig Piston Head A	1	231002000400	
6	RJ-VI.01-16	Big Piston	1	211002000500	
7	RJ-III.01-15	SL Big Piston Core	1	231002000500	
8	GB3452.1-92	O Rubber Sealing Ring 9X1.9	1	110010000040	
9	RJ-VI.01-18A	Piston Stop Dog A	1	231002000700	
10	GB/T 894.1-1986	Elastic Collar for Shaft –A 10-A2	1	108170100022	Stainless Steel
11	RJ-III.01-21	SL Cylinder	1	211001002400	
12	RJ-III.01-17A	SL Piston Head A	1	231001001300	
13	RJ-III.01-54	SL Little Piston	1	211001002500	
14	RJ-III.01-20A	SL Piston Rod (Export)	1	211001015300	
15	M4.01-01	M4 Handle	1	231003000500	
16	GB/T 77-2000	Inner Hexagon Locking Screw M4×10-A2	1	102110100009	Stainless Steel
17		Thick Cylinder Assembly	1		Optional
18		Thin Cylinder Assembly	1		Optional
19		Thick Cylinder Film	1		Optional
20		Thin Cylinder Film	1		Optional
21	M4.01-08	M4 Locating Pin Seat	1	231003000300	
22	GB/T 845-1985	Cross Pan Head Self-tapping Screw F ST2.9×6.5-A2	4	102181000009	
23	RJ-IIIA.01-46A	SL Locating Pin A	1	211001001800	
24	GB/T 77-2000	Inner Hexagon Locking Screw M4×10-A2	2	102110100009	Stainless Steel
25	M4.01-03	M4 Sliding Seat	1	231003000600	
26	RJ-IIIA.01-50	SL Locating Pin Button Compression Spring	1	211001001900	
27	M4.01-02	M4 Button	1	231003001700	
28	M4.01-08	M4 Locating Pin Seat	1	231003000300	
29	GB/T 80-2000	Inner Hexagon Locking Screw for Recessed End M4×6-A2	2	102140100008	Stainless Steel
30	M4.01-04	M4 Fixing Seat	1	231003000400	
31	M4.01-02	M4 Button	1	231003001700	
32	RJ-III.01-08	Dual-gauge Valve	1	231001000900	
33	RJ-III.01-07B	Dual-gauge Valve Rod B	1	231001000800	
34	RJ-III.01-01	Dual-gauge End Plate	1	231001000700	
35	RJ-III.01-02	Dual-gauge Big Handle	1	231001000600	



36	RJ-III.01-03	Dual-gauge Nozzle	1	231001000500	
37	RJ-III.01-09	Dual-gauge Sealing Strip	1	231001001100	
38	RJ-III.01-10A	SL Fixed Spool A	1	211001001700	
39	RJ-III.01-11	SL Mobile Spool	1	211001002000	
40	QTH-16.02-28	A4 Valve Rod Washer	1	211006000100	
41	RJ-III.01-05A	SL Torsional Spring (Export)	1	211001002100	
42	RJ-III.01-12	Dual-gauge Rubber Hose	1	231002002200	
43	RJ-III.01-04	SL Resorption Piston	1	231001000200	
44	GB3452.1-92	O Ring 3.15X1.8	1	110010000032	
45	GB3452.1-92	O Rubber Sealing Ring 7.2X1.8	1	110010000036	
46	GB3452.1-92	O Rubber Sealing Ring 8X1.8	1	110010000039	
47	GB/T 91-2000	Split Pin 1.6×20-A2	1	104010000013	Stainless Steel
48	GB/T 845-1985	Cross Pan Head Self-tapping Screw C ST2.9×11-A2	4	102181000008	Stainless Steel
49	GB/T 818-2000	Cross Pan Head Screw M3×20-A2	1	102011000044	Stainless Steel

**7.2. M323 Canister Assembly**



NO.	Code	Spare Parts	QTY	ERP Code	Notes
1	RJ-VI.01-06A	Canister A	1	231002001000	
2	RJ-VI.01-19	Connecting Bolt	1	231002001100	
3	RJ-VI.01-20	Joint	1	231002001200	
4	RJ-VI.01-08	Paddle Shaft	1	211002001000	
5	RJ-VI.01-05A	Canister Lid A	1	231002000900	
6	RJ-VI.01-07	Paddle	1	231002001400	
7	TSJ-Y12.3-16	FT Canister Shaft Sleeve 1	1	231002000800	
8	RJ-VI.01-22	Paddle Cap	1	231002001300	
9	GB3452.1-92	O Ring 19X2.1	1	110010000028	
10	GB/T 70.2-2000	Inner Hexagon Flat Round Head Screw M6×30-A2	1	102061000007	Stainless Steel
11	GB/T 70.2-2000	Inner Hexagon Flat Round Head Screw M6×35-A2	2	102061000008	Stainless Steel
12	GB/T 91-2000	Split Pin1.6×20-A2	1	104010000013	Stainless Steel



---

**ZHENGZHOU SANHUA TECHNOLOGY & INDUSTRY CO. LTD.**

---

ADD: Feilong Road, Zheng zhou Xinyang Industries Convergent Areas.

Zhengzhou City, Henan Province. PR. China. 450042

TEL: (86) 371-67857168 After-Service: (86) 371-67857319

FAX: (86) 371-67857166 WEB: <http://www.santint.com>

E-mail: [info@santint.com](mailto:info@santint.com)

---